

KUBOTA HC-Z

Kubota HC-Z Biological Treatment System

Our best-selling commercial wastewater treatment model is the Kubota HC-Z. It is lightweight, easy to freight and install and is small and compact. Designed to meet Australian wastewater loads and requirements, the HC-Z Commercial Treatment System provides advanced wastewater treatment through an extremely efficient and reliable process, while guaranteeing simple operation and reduced running cost.

The advantages of the HC-Z model include large volume single tank treatment, low operating costs and improved aesthetics. The World's number one selling domestic system, the HC-Z, is now available in Australia for Commercial applications using the same proven technology and results from 50 years research and development



Quality
ISO 9001



Environment
ISO 14001



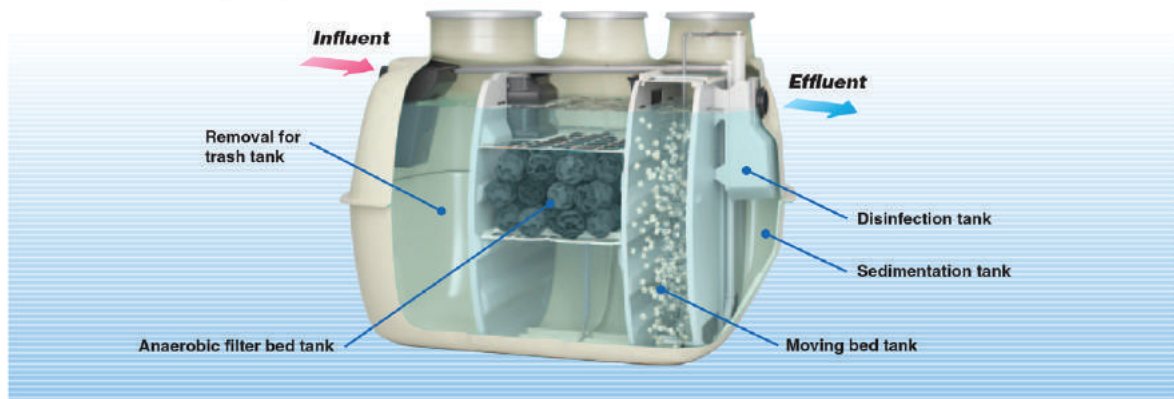
For Earth, For Life
Kubota

Features

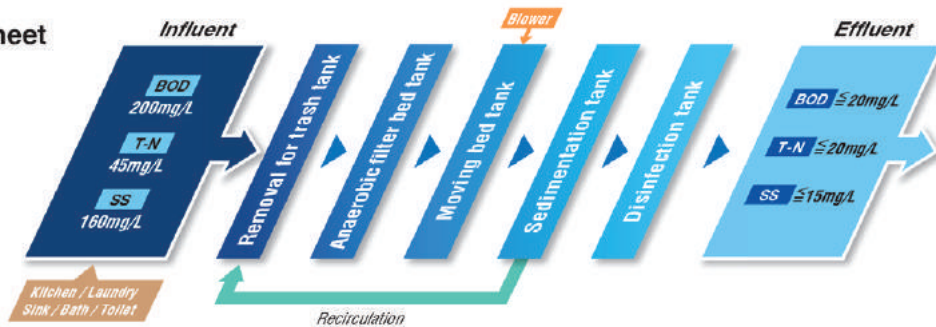
- ✔ **DURABLE** - Strong, lightweight fibre reinforced plastic construction, 50+ year engineering life
- ✔ **PROVIDES FOR SHOCK LOAD** - The HC-Z system has a peak cut system which effectively manages shock loading and peak flows. The level within the system varies in accordance with inflow ensuring consistent treated water quality
- ✔ **PROVEN** - Over 1.7 million systems sold, with over 40,000 installations annually across several continents worldwide
- ✔ **SCALABLE** - Additional modules can be added to meet increasing hydraulic requirements
- ✔ **TRIED & TESTED** - Decades of Research and Development and rigorous evaluation guarantees consistent long term performance
- ✔ **COST EFFECTIVE** - Kubota HC-Z systems reduce operation overheads by up to 80% to provide the best possible installation and operational costs

SPECIFICATIONS - HC-Z

■ Cross-section perspective



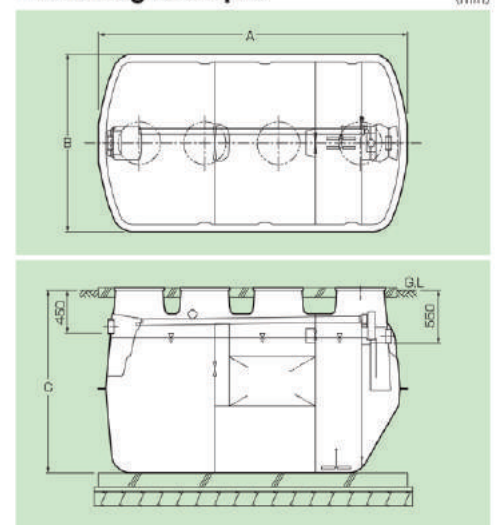
■ Flow sheet



■ Specifications (Inf. BOD 200 mg/L, Influent 12hrs/day)

Model		HCZ-25	HCZ-50
Flow rate (m ³ /day)		5.0	10.0
Dimensions (mm)	Length A	3,190	5,760
	Width B	2,000	2,000
	Height C	2,180	2,180
Manhole number	Φ450	1	2
	Φ600	2	2
Inf. eff. pipe dia. (mm)		Φ100	
Air pipe dia. (mm)		Φ20	
Capacity (m ³)	Removal for trash tank	2.839	5.626
	Anaerobic filter bed tank	2.818	5.626
	Moving bed tank	1.284	2.570
	Sedimentation tank	0.737	1.046
	Disinfection tank	0.078	0.105
	Total Capacity	7.756	14.973
Blower air flow rate (L/min)		200	350

■ Drawing example



The company reserves the right to change the above specifications without notice. ©2015 Kubota Corporation